

**End Feed &
End Braze Fittings**

Introducing Brymec End Feed & End Braze Fittings

At Brymec we stock an extensive range of top quality plumbing copper, brass and bronze fittings – providing the installer with confidence that the pipework system will perform to the highest standard. All fittings conform to BS EN1254-1:1998 and are guaranteed against manufacturing defects for 25 years. For full traceability all fittings are etched or stamped with unique branding; together with the EN specification reference and fitting size where space permits. Our range of larger sizes 67mm and above and also the Bronze fittings are for larger and more demanding applications.

Our end feed fittings used with soft solder applied to the joint at melting point will flow under capillary action to create a simple and secure connection. For fittings 67mm and above the process is the same, but brazing using hard solder rods.

Fitting Specifications

Working Temperatures & Pressures:

- 30°C - 16 Bar
- 99°C - 16 Bar
- 110°C - 6 Bar
- For the higher working pressures achievable using hard solder, please refer to our Brymec technical sheets.

Applications:

- Water Oil & Gas

Standards & Approvals:

- End Feed fittings to BS EN1254-1:1998
- WRAS approved
- Guaranteed 25 years
- Gunmetal (Bronze) fittings to EN1254-4:1998
- WRAS approved
- Guaranteed 25 years
- Tube to BS EN1057 – TX & LX
- Temper to EN1173 - HH (250) & H (290)
- WRAS approved
- Guaranteed 25 years
- Soft Solder tin/copper or tin/silver to BS EN 29453.
- Hard solder (brazing alloy) to BS EN 1044

Additional Requirements

- For other closed or open system configurations please contact Brymec technical for specific advice.
- For details regarding product codes visit Brymec.com or request our latest product catalogue



Contents

Features and Benefits	4
End Feed & End Braze Fittings	5
The Brymec End Feed Fitting Range	6
Terms of Business	14
Quality Policy	16
Ethical Global Procurement Policy	17
Warranty	18
The Brymec Foundation	19

Features and Benefits

- End Feed - Available in sizes 15 - 54mm
- End Braze - Available in sizes 67 - 108mm
- Manufactured from copper and brass
- Bronze End Feed - Gunmetal (Bronze) fittings manufactured to EN1254-4:1998, designed to connected to BS EN 1057 tube
- Suitable for use on hot and cold potable water systems, gravity fed or pressurised unvented heating systems, gas installation pipework and drainage & rainwater applications.

Warranty

We offer a 25 year warranty with our Copper End Feed system.
Please call 0333 000 55 55 for more information



Brymec Quality

Our end feed range has been carefully designed and selected to meet the highest quality standards. Products undergo stringent testing in compliance with our ISO 9001:2015 Quality Management System.

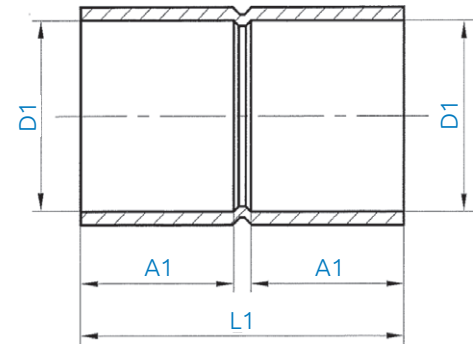


End Feed & End Braze Fittings

Product Information

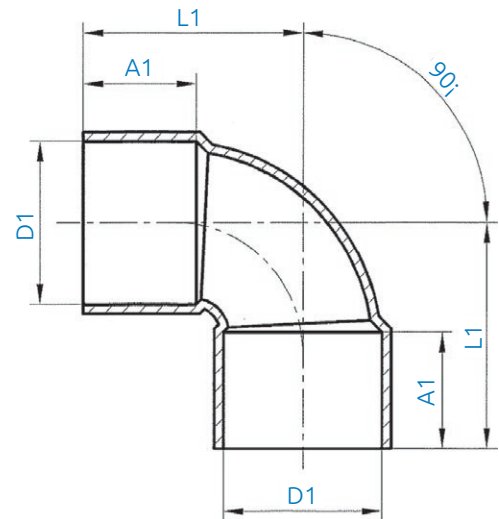
Couplers

STOCK NO.	D1	A1	L1	WEIGHT
30014	15mm	10.6	23.0	7.8
30015	22mm	15.4	34.0	21.5
30016	28mm	18.4	38.5	34.2
30017	35mm	23.0	49.0	60.5
30018	42mm	27.0	57.0	85.5
30019	54mm	32.0	67.0	140.2
30021	76mm	33.5	73.0	322.5
30022	108mm	47.5	103.5	813.2



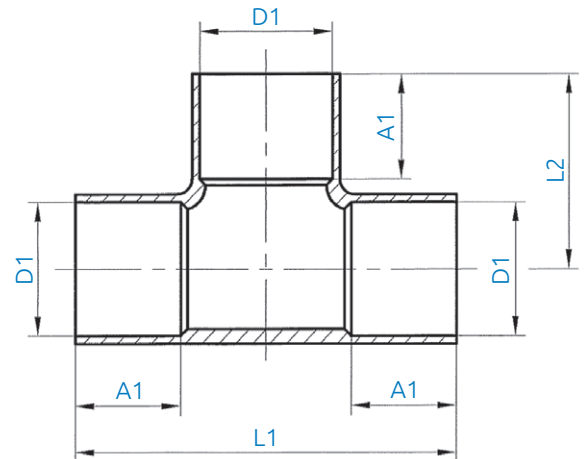
90° Elbows

STOCK NO.	D1	A1	L1	WEIGHT
30030	15	10.6	20.0	12.0
30031	22	15.4	29.0	32.0
30032	28	18.4	35.5	52.3
30033	35	23.0	43.5	90.7
30034	42	27.0	51.0	126.0
30035	54	32.0	62.5	252.0
30036	67	33.5	73.5	380.0
30037	76	33.5	81.5	694.0
30038	108	47.5	116.5	1948.8



Equal Tees

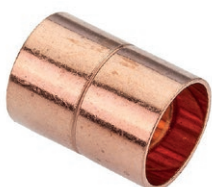
STOCK NO.	D1	A1	L1	WEIGHT
30047	15	10.6	20.0	22.8
30048	22	15.4	28.0	55.5
30049	28	18.4	36.0	92.1
30050	35	23.0	43.5	169.6
30051	42	27.0	51.0	241.9
30052	54	32.0	62.5	452.6
30054	76	33.5	76.0	1035.0
30055	108	47.5	107.0	2552.0



Copper End-Feed Fittings

End-feed capillary fittings for joining copper tubing in all domestic and commercial pipework systems. At Brymec we only stock top quality plumbing copper fittings - providing the installer with confidence that the pipework system will perform to the highest standard. All fittings conform to BS EN1254-1: 1998. Sizes 67mm and above should be brazed with brazing rods.

Couplers



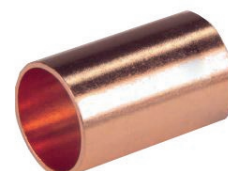
STOCK NO.	SIZE	PACK QTY
30014	15mm	25
30015	22mm	25
30016	28mm	20
30017	35mm	1
30018	42mm	1
30019	54mm	1
30020	67mm	1
30021	76mm	1
30022	108mm	1
33105	133mm	1
33106	159mm	1

Imperial To Metric Couplers



STOCK NO.	SIZE	PACK QTY
30152	15mm x 1/2"	25
30153	22mm x 3/4"	25
30154	28mm x 1"	25
30156	35mm x 1 1/4"	10

Slip Couplers



STOCK NO.	SIZE	PACK QTY
30275	15mm	25
30276	22mm	25
30277	28mm	20
30278	35mm	10
30279	42mm	5
30280	54mm	5

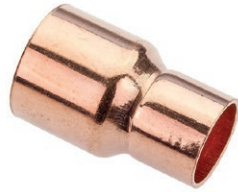
Reducing Couplers



STOCK NO.	SIZE	PACK QTY
30122	22mm x 15mm	25
30123	28mm x 22mm	25
30116	28mm x 15mm	25
30117	35mm x 15mm	1
30118	35mm x 22mm	1
30124	35mm x 28mm	1
30125	42mm x 22mm	1
30126	42mm x 28mm	1
30127	42mm x 35mm	1
30128	54mm x 35mm	1
30132	54mm x 42mm	1

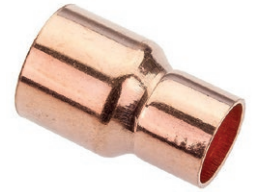
Copper End-Feed Fittings

Fitting Reducers



STOCK NO.	SIZE (F x C)	PACK QTY
30095	15mm x 10mm	30
30097	22mm x 15mm	25
30098	28mm x 15mm	25
30099	28mm x 22mm	25
30100	35mm x 15mm	1
30101	35mm x 22mm	1
30102	35mm x 28mm	1
30107	42mm x 15mm	1
30108	42mm x 22mm	1
30103	42mm x 28mm	1
30104	42mm x 35mm	1
30109	54mm x 15mm	1
30110	54mm x 22mm	1
30111	54mm x 28mm	1
30105	54mm x 35mm	1
30106	54mm x 42mm	1
30023	67mm x 28mm	1
30024	67mm x 35mm	1
30025	67mm x 42mm	1
30114	67mm x 54mm	1
30026	76mm x 35mm	1
30027	76mm x 42mm	1
30088	76mm x 54mm	1
30089	76mm x 67mm	1
30090	108mm x 42mm	1
30091	108mm x 54mm	1
30092	108mm x 67mm	1
30093	108mm x 76mm	1
33111	133mm x 67mm	1

Fitting Reducers - Continued



STOCK NO.	SIZE (F x C)	PACK QTY
33112	133mm x 76mm	1
33113	133mm x 108mm	1
33115	159mm x 108mm	1
33116	159mm x 133mm	1

Long Tail Reducer



STOCK NO.	SIZE	PACK QTY
30113	15mm x 10mm	25

90° Elbows



STOCK NO.	SIZE	PACK QTY
30030	15mm	25
30031	22mm	25
30032	28mm	20
30033	35mm	1
30034	42mm	1
30035	54mm	1
30036	67mm	1
30037	76mm	1
30038	108mm	1
30142	133mm	1
30143	159mm	1

Copper End-Feed Fittings

45° Elbows



STOCK NO.	SIZE	PACK QTY
30063	15mm	25
30064	22mm	25
30065	28mm	20
30066	35mm	1
30067	42mm	1
30068	54mm	1
30069	67mm	1
30070	76mm	1
30071	108mm	1
33107	133mm	1
33108	159mm	1

45° Street Elbows



STOCK NO.	SIZE	PACK QTY
30144	15mm	25
30145	22mm	25
30146	28mm	25
30147	35mm	1
30148	42mm	1
30149	54mm	1
30150	67mm	1
30151	76mm	1

90° Street Elbows



STOCK NO.	SIZE	PACK QTY
30129	15mm	25
30130	22mm	25
30131	28mm	20
30133	35mm	1
30134	42mm	1
30135	54mm	1

90° Street Elbows Long Radius



STOCK NO.	SIZE	PACK QTY
30137	15mm	25
30138	22mm	25

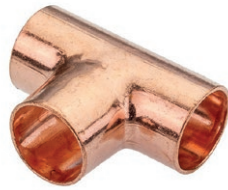
Equal Tees



STOCK NO.	SIZE (F x C)	PACK QTY
30047	15mm	25
30048	22mm	25
30049	28mm	20
30050	35mm	1
30051	42mm	1
30052	54mm	1
30053	67mm	1
30054	76mm	1
30055	108mm	1
33109	133mm	1
33110	159mm	1

Copper End-Feed Fittings

Reducing Tees



STOCK NO.	SIZE	PACK QTY
30203	15mm x 15mm x 10mm	25
30204	15mm x 15mm x 22mm	25
30205	22mm x 15mm x 15mm	25
30206	22mm x 15mm x 22mm	25
30207	22mm x 22mm x 15mm	25
30197	22mm x 22mm x 28mm	10
30198	28mm x 15mm x 15mm	25
30219	28mm x 15mm x 22mm	25
30209	28mm x 15mm x 28mm	25
30220	28mm x 22mm x 15mm	25
30208	28mm x 22mm x 22mm	25
30210	28mm x 22mm x 28mm	20
30211	28mm x 28mm x 15mm	10
30212	28mm x 28mm x 22mm	10
30221	28mm x 28mm x 35mm	25
30222	35mm x 15mm x 35mm	25
30225	35mm x 22mm x 22mm	25
30228	35mm x 22mm x 35mm	25
30226	35mm x 28mm x 22mm	25
30227	35mm x 28mm x 28mm	25
30232	35mm x 28mm x 35mm	25
30223	35mm x 35mm x 15mm	25
30213	35mm x 35mm x 22mm	5
30229	35mm x 35mm x 28mm	5
30233	42mm x 15mm x 42mm	5
30234	42mm x 22mm x 42mm	5
30235	42mm x 28mm x 28mm	5
30236	42mm x 28mm x 42mm	5
30239	42mm x 35mm x 28mm	5

Reducing Tees - Continued



STOCK NO.	SIZE	PACK QTY
30240	42mm x 35mm x 35mm	5
30241	42mm x 35mm x 42mm	5
30242	42mm x 42mm x 15mm	5
30214	42mm x 42mm x 22mm	5
30243	42mm x 42mm x 28mm	5
30215	42mm x 42mm x 35mm	5
30247	54mm x 42mm x 42mm	5
30253	54mm x 54mm x 15mm	5
30254	54mm x 54mm x 22mm	5
30246	54mm x 54mm x 28mm	5
30216	54mm x 54mm x 35mm	5
30217	54mm x 54mm x 42mm	5
30248	67mm x 67mm x 28mm	1
30255	67mm x 67mm x 35mm	1
30256	67mm x 67mm x 42mm	1
30218	67mm x 67mm x 54mm	1
30257	76mm x 76mm x 28mm	1
30262	76mm x 76mm x 35mm	1
30263	76mm x 76mm x 42mm	1
30264	76mm x 76mm x 54mm	1
30265	76mm x 76mm x 67mm	1
30266	108mm x 108mm x 35mm	1
30270	108mm x 108mm x 42mm	1
30271	108mm x 108mm x 54mm	1
30272	108mm x 108mm x 67mm	1
30273	108mm x 108mm x 76mm	1
33117	159mm x 159mm x 76mm	1
33118	159mm x 159mm x 108mm	1
33119	159mm x 159mm x 133mm	1

Copper End-Feed Fittings

Female Iron Tees



STOCK NO.	SIZE (F x C)	PACK QTY
30188	15mm x 1/2" x 15mm	25
30193	15mm x 15mm x 1/2"	25
30189	22mm x 1/2" x 22mm	25
30190	22mm x 22mm x 1/2"	25
30191	22mm x 3/4" x 22mm	25
30192	22mm x 22mm x 3/4"	25
30194	28mm x 28mm x 1/2"	5

Male Iron Couplers



STOCK NO.	SIZE (F x C)	PACK QTY
30177	15mm x 1/2"	25
30178	22mm x 3/4"	25
30179	28mm x 1"	25
30180	35mm x 1 1/4"	1
30181	42mm x 1 1/2"	1
30182	54mm x 2"	1
30183	67mm x 2 1/2"	1
33101	76mm x 3"	1

Female Iron Couplers



STOCK NO.	SIZE (F x C)	PACK QTY
30160	15mm x 1/4"	10
30161	15mm x 1/2"	10
30162	22mm x 3/4"	10
30163	28mm x 1"	10
30164	35mm x 1 1/4"	1
30165	42mm x 1 1/2"	1
30166	54mm x 2"	1
30167	67mm x 2 1/2"	1

Male Iron Elbows



STOCK NO.	SIZE (F x C)	PACK QTY
30185	15mm x 1/2"	25
30186	22mm x 3/4"	25
30187	28mm x 1"	25

Female Iron Elbows



STOCK NO.	SIZE (F x C)	PACK QTY
30169	15mm x 1/2"	10
30170	22mm x 3/4"	10
30171	28mm x 1"	10

Wall Plate Elbows



STOCK NO.	SIZE (F x C)	PACK QTY
30224	15mm x 1/2"	25

Copper End-Feed Fittings

Copper Tail Wallplates



STOCK NO.	SIZE
30864	1/2" with 15mm tail x 350mm

End Caps



STOCK NO.	SIZE	PACK QTY
30079	15mm	25
30080	22mm	25
30081	28mm	20
30082	35mm	1
30083	42mm	1
30084	54mm	1
30085	67mm	1
30086	76mm	1
30087	108mm	1

Full Cross Overs



STOCK NO.	SIZE	PACK QTY
30230	15mm	10
30231	22mm	10

Part Cross Overs



STOCK NO.	SIZE	PACK QTY
30237	15mm	10
30238	22mm	10

Straight Tap Connectors



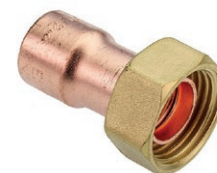
STOCK NO.	SIZE	PACK QTY
30258	15mm x 1/2"	25
30259	15mm x 3/4"	25
30260	22mm x 3/4"	25
30261	28mm x 1"	25

Bent Tap Connectors



STOCK NO.	SIZE	PACK QTY
30267	15mm x 1/2"	25
30268	15mm x 3/4"	25
30269	22mm x 3/4"	25

Straight Cylinder Unions



STOCK NO.	SIZE	PACK QTY
30244	22mm x 1"	10
30245	28mm x 1"	10

Bent Cylinder Unions



STOCK NO.	SIZE	PACK QTY
30251	22mm x 1"	10
30252	28mm x 1"	10

Copper End-Feed Fittings

Male Unions - Flat Faced Seal



STOCK NO.	SIZE
33140	15mm x 1/2"
33141	22mm x 3/4"
33142	28mm x 1"
33143	35mm x 1 1/4"
33144	42mm x 1 1/2"
33145	54mm x 2"

Female Unions - Flat Faced Seal



STOCK NO.	SIZE
33146	15mm x 1/2"
33147	22mm x 3/4"
33148	28mm x 1"
33149	35mm x 1 1/4"
33150	42mm x 1 1/2"
33151	54mm x 2"

Copper Wallplates Straight



STOCK NO.	SIZE
30413	1/2" x 15mm Solder Ring

Bi-Metal Copper Stub Flanges

- PN16



STOCK NO.	SIZE	BOLT SIZE
33121	42mm x 1 1/2"	M12 x 65 (4)
33122	54mm x 2"	M16 x 60 (4)
33126	67mm x 2 1/2"	M16 x 60 (4)
33124	76mm x 2 1/2"	M16 x 65 (8)
33123	76mm x 3"	M16 x 60 (4)
33125	108mm x 4"	M16 x 70 (8)

Bi-Metal Bronze Brazing Flanges

- BS EN 1092 -3
- PN16
- BS4504 Type 07



STOCK NO.	SIZE	BOLT SIZE
33130	35mm x 1 1/4"	M12 x 65 (4)
33131	42mm x 1 1/2"	M12 x 65 (4)
33132	54mm x 2"	M16 x 60 (4)
33133	67mm x 2 1/2"	M16 x 60 (4)
33134	76mm x 3"	M16 x 65 (8)
33135	108mm x 4"	M16 x 70 (8)
33136	133mm x 5"	M16 x 70 (8)
33137	159mm x 6"	M27 x 75 (8)

IBC Ring Gaskets - Fibre

- Suitable for water and gas media



STOCK NO.	SIZE	BOLT SIZE
33130	35mm x 1 1/4"	M12 x 65 (4)
33131	42mm x 1 1/2"	M12 x 65 (4)
33132	54mm x 2"	M16 x 60 (4)
33133	67mm x 2 1/2"	M16 x 60 (4)
33134	76mm x 3"	M16 x 65 (8)

Bronze End-Feed Fittings

Heavy weight fittings to BS EN 1254-4:1998 for hard soldering & brazing, commonly used in commercial applications with BS EN 1057 copper pipe.

Male Iron Adaptors



STOCK NO.	SIZE
33370	15mm x 1/2"
33371	15mm x 3/4"
33372	22mm x 1/2"
33373	22mm x 3/4"
33374	28mm x 1"
33375	35mm x 1 1/4"
33376	42mm x 1 1/2"
33377	54mm x 2"
33378	67mm x 2 1/2"

Female Iron Adaptors



STOCK NO.	SIZE
33384	15mm x 1/2"
33386	22mm x 3/4"
33387	28mm x 1"
33388	35mm x 1 1/4"
33389	42mm x 1 1/2"
33390	54mm x 2"
33391	67mm x 2 1/2"

Male Iron Elbows



STOCK NO.	SIZE
33381	15mm x 1/2"
33382	22mm x 3/4"

Female Iron Elbows



STOCK NO.	SIZE
33393	15mm x 1/2"

Terms of Business – Sales

1. BACKGROUND

- 1.1 These Terms apply to the Contract between Brymec and the Customer for the sale of Brymec Products. Any other terms, whether implied by custom or practice, or which the Customer may seek to include, are specifically excluded.
- 1.2 Capitalised words (such as 'Contract'), have a specific meaning which is set out in 12 below.

2. CONTRACT TO BUY PRODUCTS

- 2.1 The Products are described on Brymec's website and in its catalogue. Specifications for Products are subject to change, in which case, Brymec will endeavour to supply an equivalent or suitable alternative.
- 2.2 When the Customer wishes to place an order for Products, it will provide a purchase order to Brymec. If Brymec accepts such order, it will issue an Order Acceptance to the Customer, at which point the Contract shall come into existence.
- 2.3 The Customer is responsible for ensuring that the details in the Order Acceptance are complete and accurate

3. DELIVERY

- 3.1 Each delivery of the Products will be accompanied by a delivery note that shows the date of the Order Acceptance, the relevant Brymec reference number, and the type and quantity of the Products.
- 3.2 Brymec shall deliver the Products to the Delivery Location at any time after Brymec notifies the Customer that the Products are ready.
- 3.3 Delivery is completed on the completion of unloading of the Products at the Delivery Location (and, if applicable, Signed For.)
- 3.4 Any dates quoted for delivery are approximate only, and the time of delivery is not of the essence. Brymec shall use all reasonable commercial efforts to meet any specific delivery dates. However, Brymec will not be liable for any delay in delivery of the Products.
- 3.5 If Brymec fails or is unable to deliver the Products for any reason (except for an Unforeseen Event), its liability shall be limited to the costs and expenses incurred by the Customer in obtaining replacement Products of similar description and quality in the cheapest market available, less the price of the Products. Brymec shall have no liability for any failure to deliver the Products to the extent that such failure is caused by an Unforeseen Event, or the Customer's failure to provide Brymec with adequate delivery instructions or any other instructions that are relevant to the supply of the Products.
- 3.6 Brymec may deliver the Products by instalments, which shall be invoiced and paid for separately. Any delay in delivery or defect in an instalment shall not entitle the Customer to cancel any other instalment.

4. QUALITY

- 4.1 Brymec warrants that, on delivery, the Products shall conform in all material respects with their description and any applicable Specification. For products sold by weight, or in the manufacturer's packaging, Brymec may supply quantities of up to 5% more or less than the amount ordered.

- 4.2 Subject to 4.3 below, if i) the Customer gives notice in writing to Brymec within 2 business days of delivery that the Products do not comply with the Specification, and ii) Brymec is given a reasonable opportunity to examine such Products, and iii) the Customer returns such Products to Brymec's place of business at the Customer's cost, Brymec shall, at its option, replace the defective Products or refund the price of the defective Products in full.
- 4.3 Brymec shall not be liable for the Products' failure to comply with the warranty set out in clause 4.1 if: i) the Customer makes any further use of such Products after giving notice under 4.2 above; ii) the defect arises because the Customer failed to follow good trade practice or instructions as to the storage, commissioning, installation or use of the Products; or iii) the Customer alters or attempts to repair such Products.
- 4.4 Other than as set out above, Brymec shall have no liability to the Customer in respect of the Products' failure to comply with the warranty set out in clause 4.1.

5. TITLE AND RISK

- 5.1 The risk in the Products shall pass to the Customer on completion of delivery.
- 5.2 Title to the Products shall not pass to the Customer until the earlier of: i) Brymec receives payment in full for the Products; and ii) the Customer resells the Products, in which case title to the Products shall pass to the Customer at the time specified in 5.4 below.
- 5.3 Until title to the Products has passed to the Customer, the Customer shall store the Products separately from all other products held by the Customer so that they remain readily identifiable as Brymec's property, maintain the Products in satisfactory condition, and keep them insured against all risks for their full price from the date of delivery.
- 5.4 The Customer may use or resell the Products before Brymec receives payment for the Products, in which case it does so as principal and not as Brymec's agent, and title to the Products shall pass from Brymec to the Customer immediately before the time at which such reuse or resale by the Customer occurs.

6. PRICE AND PAYMENT

- 6.1 The price of the Products shall be the price set out in the Order Acceptance issued by Brymec. Brymec may, by giving notice to the Customer at any time up to delivery, increase the price of the Products to reflect any increase in the cost of the Products that is due to i) any factor beyond Brymec's control (including foreign exchange fluctuations, increases in taxes and duties, and increases in labour, materials and other manufacturing costs), or ii) any request by the Customer to change the delivery date(s), quantities or types of Products ordered, or the Specification.
- 6.2 The price of the Products excludes amounts in respect of value added tax (VAT), which the Customer shall additionally be liable to pay.
- 6.3 Unless otherwise stated on the Order Acceptance, Brymec shall be responsible for the cost of insurance and transport of the Products to the Delivery Location.
- 6.4 Brymec may invoice the Customer for the Products on or at any time after the Products have been despatched.

- 6.5 Unless otherwise stated in the Order Acceptance, the Customer shall pay the invoice in full and in cleared funds by the end of the month following the month the invoice was dated to the bank account nominated by Brymec. Time for payment is of the essence.
- 6.6 If the Customer fails to make any payment due to Brymec under the Contract by the due date for payment, then Brymec shall be entitled to charge interest on the overdue amount at the rate of 4.0% per annum above the base rate from time to time of the Bank of England. Such interest shall accrue on a daily basis from the due date until actual payment of the overdue amount, whether before or after judgment. The Customer shall pay the interest together with the overdue amount.
- 6.7 The Customer shall pay all amounts due under the Contract in full without any set-off, counterclaim or deduction. Brymec may set off any amount owing to it by the Customer against any amount payable by Brymec to the Customer.

7. LIMITATION OF LIABILITY AND INSURANCE

- 7.1 Nothing in these Terms shall limit or exclude Brymec's liability for: (i) death or personal injury caused by its negligence; ii) fraud or fraudulent misrepresentation; iii) breach of the terms implied by section 12 of the Sale of Goods Act 1979; or defective products under the Consumer Protection Act 1987.
- 7.2 Subject to 7.1 above, Brymec shall under no circumstances whatsoever be liable to the Customer, whether in contract, tort (including negligence), breach of statutory duty, or otherwise, for any loss of profit, or any indirect or consequential loss arising under or in connection with the Contract; and
- 7.3 Brymec has obtained insurance cover in respect of its own legal liability for individual claims not exceeding £1,000,000 per claim. Therefore, Brymec's total liability to the Customer in respect of all other losses arising under or in connection with the Contract, whether in contract, tort (including negligence), breach of statutory duty, or otherwise, shall in no circumstances exceed £1,000,000, and the Customer is responsible for making its own arrangements for the insurance of any excess loss.

8. UNFORESEEN EVENTS

Neither party shall be in breach of this Contract nor liable for delay in performing, or failure to perform, any of its obligations under this Contract if such delay or failure results from an Unforeseen Event. If the period of delay or non-performance continues for three months, the party not affected may terminate this Contract by giving one month's written notice to the affected party.

9. GENERAL

- 9.1 Assignment. The Customer may not assign, transfer, mortgage, charge, subcontract or deal in any other manner with any or all of its rights or obligations under the Contract without Brymec's prior written consent.

- 9.2 Confidentiality. Each party undertakes that it shall not at any time during this agreement, and for a period of 5 years after termination of this agreement, disclose to any person any confidential information concerning the business, affairs, customers, clients or suppliers of the other party, except as permitted by this paragraph. Each party may disclose the other party's confidential information: (i) to its employees, officers, representatives or advisers who need to know such information for the purposes of carrying out its obligations under or in connection with the Contract; and (ii) as may be required by law. No party shall use any other party's confidential information for any purpose other than to exercise its rights and perform its obligations under or in connection with this agreement.
- 9.3 Entire agreement. This Contract constitutes the entire agreement between the parties and supersedes and extinguishes all previous agreements and understandings between them, whether written or oral, relating to its subject matter. Each party agrees that it shall have no remedies in respect of any statement, representation, assurance or warranty (whether made innocently or negligently) that is not set out in this agreement.
- 9.4 Variation. No variation of this Contract shall be effective unless it is in writing and signed by the parties (or their authorised representatives).
- 9.5 Third party rights. No one other than a party to this Contract shall have any right to enforce any of its terms.
- 9.6 Law and jurisdiction. The Contract, and any dispute or claim arising out of or in connection with it shall be governed by and construed in accordance with the law of England and Wales. Each party agrees that the courts of England and Wales shall have exclusive jurisdiction to settle any dispute or claim arising out of or in connection with this Contract.

10. DEFINITIONS:

- 10.1 Brymec: Brymec Limited, whose registered office is at Unit C, Redlands, Coulsdon, Surrey, CR5 2HT.
- 10.2 Terms: the terms set out in this document.
- 10.3 Contract: the contract between Brymec and the Customer for the sale and purchase of the products in accordance with these terms
- 10.4 Customer: the business or person who purchases the Products from Brymec.
- 10.5 Delivery Location: the location for delivery of the Products set out in the Order Acceptance, or such other location as the parties may agree.
- 10.6 Order Acceptance: a form issued by Brymec in response to a Customer's order for Products, specifying Product details, quantities, prices and costs of transportation.
- 10.7 Products: the products (or any part of them) set out in the Order Acceptance.
- 10.8 Signed For: a Customer requirement stated in the Order Acceptance that a delivery of Product must be signed for at the Delivery Location.
- 10.9 Specification: any specification for the Products set out on Brymec's website or in its catalogue.
- 10.10 Unforeseen Event: an event or circumstance beyond a party's reasonable control.

Quality Policy

Brymec Ltd (the 'Organisation') aims to provide defect free products and services to its customer on time and within budget.

The Organisation operates a Quality Management System that has gained BS EN ISO 9001 : 2015 certification, including aspects specific to the stockholding and supply of mechanical, plumbing and air conditioning products and services.

This gives us a platform to guarantee a structured approach to our continuous improvement cycle, and ensures we continue to meet and exceed the following key goals:

- Excellence of service to our customers, delivering on site, in full, on time; in the relentless pursuit of total customer satisfaction.
- Offering quality products and systems. We work with worldwide manufacturing plants (in line with our social and ethical policy) to source the best products for the UK market. We ensure that the products are fit for purpose and comply with the relevant approvals and standards. We also research and develop innovative solutions which will add value to our customers, developers and end users.
- To motivate, engage and continuously develop our team by providing training, coaching, knowledge sharing and investment to ensure their absolute competence.
- To continue to invest in technology, working to understand customers' needs and streamline their buying processes to maximise efficiencies via modern technology.

This quality policy is endorsed and regularly reviewed by our Senior Management Team, and its scope is communicated to all Brymec employees via our website and other appropriate methods.

Our vision is to become an essential and indispensable supplier to the Building Services Contractor by providing excellence of service, quality products and continually investing in technology.

In order to achieve our vision, we ensure Brymec is an organisation where people love to work, upholding our core values of excellence, courage, integrity and collaboration to actively engage our team in contributing towards providing the highest level of customer satisfaction.

Luke Reiner
Managing Director

Ethical Policy - Sourcing

At Brymec we recognise the importance of credibility, integrity and trustworthiness in our success as a business. We are committed to upholding high ethical standards in all our operations, everywhere in the world. We believe in the principles of honesty, fairness, and respect for individual and community freedoms. The ethics of our UK operations are demonstrated through responsible:

- business processes
- corporate governance
- custom and practice
- quality management
- safe working practices
- corporate social responsibility
- facility management
- equality & diversity
- anti-bribery & corruption
- employee care

The Ethical Trading Initiative Code forms the basis of this policy.

Additionally, as we expand our network of suppliers to source products globally, it is increasingly necessary to ensure that the organisations that we undertake business with also meet our expectations of standards of supply.

As a minimum Brymec Ltd expects its supply partners to comply with all local laws and regulations and to respect internationally recognised human and labour rights as well as international initiatives for climate change.

In particular we require that suppliers ensure:

- Working hours and remuneration are reasonable and meet the required local wage and working time laws
- Working conditions are safe and hygienic
- No discrimination is practised
- Employment is freely chosen
- Children are not employed, and local minimum age rules are in place
- Freedom of Association and the right to collective bargaining are respected
- No improper advantage, including the payment of bribes.
- Packaging and waste are subject to recycling and safe disposal guidelines
- That all sourcing of materials and manufacturing processes are subject to sustainability and renewability rules

Brymec carry out initial assessments and, on agreeing terms of business, provide the criteria against which the company has been measured by way of regulating ongoing requirements.

Brymec then carry out periodic on-site audits to ensure that compliance is maintained.

Brymec will work with its suppliers to guide and advise them in maintaining and improving required levels of environmental standards.

The Brymec Sourcing Director has responsibility for this policy and will report to the management meetings on any issues arising.

A copy of the full Ethical trading initiative can be found at www.ethicaltrade.org.

Business Ethics Policy

PURPOSE

This policy has been created to provide a framework and guidance on the company's approach to achieving and maintaining good business behaviour by means of sound ethical conduct. It serves to ensure that all employees are aware of their individual and collective responsibilities with regards to the company's ethics, and to emphasise our employees' and customers' expectations to be being treated fairly and in accordance with good business practices.

All employees are responsible for reading this document in its entirety and for ensuring that they comply with all the policy requirements as stated within this document.

All employees are responsible for complying with the company's Anti-Bribery Policy as stated within this document.

The purpose of this ethics policy is to maintain a culture of openness, trust and integrity in the company's business practices. Effective ethics is a 'team effort' involving the participation and support of every Brymec employee.

DEFINITION

It is important to Brymec that we treat all customers, suppliers and employees ethically. This means we have standards and values that are key to us – and these must be adhered to in all of our interactions.

Brymec will not tolerate any wrongdoing or impropriety at any time. The company will take the appropriate measures and act quickly where the 'ethical code' is broken.

OUR ETHICAL STANCE

Brymec's Board and Senior Management commitment to Ethics:

- that integrity is one of the company's core values
- to set and lead by example
- in any business practice, honesty and integrity are of the highest importance
- to provide a fair and reasonable working environment for all employees relating to conditions and contracts
- to have an open-door policy and welcome suggestions and concerns from all employees, creating an environment that will allow employees to feel comfortable discussing any issues and will serve to alert Directors and SMT to concerns within the company

BRYMEC EMPLOYEE'S COMMITMENT TO ETHICS:

- to disclose any conflicts of interest regarding their position with the company
- to engage in carrying out the company's mission in a professional manner and in line with the core values of the company which includes integrity
- to recognise that the main function of the company is at all times to serve the best interests of our current and future customers, and to do this with respect, concern and courtesy
- to treat everyone fairly, have mutual respect, promote a team environment and avoid the intent and appearance of unethical or compromising practices
- to treat all persons with respect and consideration, regardless of race, religion, gender, sexual orientation, maternity, marital or family status, disability, age or national origin
- to demonstrate the highest standards of personal integrity, truthfulness and honesty in all activities in order to inspire confidence and trust in such activities, both internally and externally
- to strive for personal and professional excellence
- to conduct themselves at all times with professional competence, fairness and impartiality

COMPANY'S COMMITMENT TO ETHICS:

- to hold paramount the safety, health and welfare of the public in performance of the company's professional duties
- to keep the local communities informed about issues which may affect them
- to collaborate with and support partners in carrying out the company's mission in line with the company's ethics policy
- to build professional reputation on the merit of our capabilities and refrain from competing unfairly with others
- not to engage in any business practice or process or with any entity, including potential customers or suppliers who do not match the Company's ethical standards

Business Ethics Policy

ANTI-BRIBERY POLICY

Brymec values its reputation for ethical behaviour and for financial probity and reliability. It recognises that over and above the commission of any crime, any involvement in bribery will also reflect adversely on its image and reputation. Its aim therefore is to limit its exposure to bribery by:

- setting out a clear anti-bribery policy;
- establishing and implementing anti-bribery procedures as appropriate;
- communicating this policy and any relevant procedures to employees and to others who will perform services for Brymec Limited;
- undertaking appropriate due diligence measures before engaging others to represent Brymec in its business dealings;
- monitoring and reviewing the risks and the effectiveness of any anti-bribery procedures that are in place.

Brymec prohibits the offering, giving, solicitation or acceptance of any bribe (whether cash or other inducement):

to or from any person or company (wherever they are situated and whether they are a public official or body or private person or company)

- by any individual employee, agent or other person or body acting on behalf of Brymec Limited
- in order to gain any commercial, contractual or regulatory advantage for Brymec in a way that is unethical
- in order to gain any personal advantage (pecuniary or otherwise) for the individual or anyone connected with the individual

This policy prohibits any inducement that results in a personal gain or advantage to the recipient or any person or body associated with them, and which is intended to influence them to take action that may not be solely in the interests of Brymec or of the person or body employing them or whom they represent.

GOVERNANCE

Induction process

All employees must be introduced to the ethical stance and values of the organisation during the induction process. Line managers are responsible for ensuring that this has happened, and that employees have understood all aspects of the ethical stance.

Interactions with customers and suppliers

All interactions with customers and suppliers should follow the ethical stance of the organisation. Any deliberate non-adherence with the ethical stance might result in disciplinary action.

Product development

The development of all products and services within the organisation must be carried out within the guidelines set by the ethical stance.

Communication

All communications from the organisation must adhere to the ethical stance as set out in this policy.

Review

Should an employee be in any doubt about a relevant course of action, require clarification on a particular issue, or want to report a potential breach of Brymec's ethical code, they should report directly to their line manager or Senior manager. The topic/issue will then be dealt with as quickly and efficiently as possible, and by MD if appropriate.

This policy will be held by the Head of HR on behalf of Brymec's board and will be reviewed annually to ensure that it remains relevant, both internally with all employees and externally regarding changing social and moral attitudes and business best practice.

The Brymec Foundation

A better tomorrow for everyone

As a company that specialises in the manufacture and supply of water management systems, it was fitting that in 2016 we founded the Brymec Foundation, and partnered with Fields of Life.

Brymec has helped Fields of Life to bring about positive change through the provision of quality education, clean water, health promotion and other community-based projects.

For more information visit:
www.brymec.com/charity



fields of life
CHANGING LIVES. BUILDING HOPE

Brymec 
Built for Tomorrow



CO₂e
Assessed
Organisation